

## Product data sheet – Terrassotec 5,5 Trilobular

### Product description

The **Terrassotec 5,5 Trilobular** made from hardened stainless steel/ stainless steel A2/stainless steel A4, is a screw, particularly developed for the attachment of terrace decking boards to wooden substructures. The screw features an extra reinforced shaft, an additional underhead thread and a tapered head with TX drive.



### Material

#### Martensitic stainless steel 1.4006 (C1)

(Stainless steel according to EN 10088)

- High resistance
  - ➔ 60 % greater breaking torque than the austenitic stainless steel V2A and V4A
  - ➔ hardened by heat treatment
- Usable for service classes 1 to 3 according to EN 1995 - Eurocode 5
- Limited corrosion-resistant
- Not acid-resistant
  - ➔ Not suitable for high tanning-containing woods such as Cumarú, Oak, Intsia, Robinia etc.
- Not suitable for use in aggressive environments containing salt or chlorine
- Magnetisable

#### Austenitic stainless steel V2A 1.4301/X5CrNi18-10

(stainless steel according to EN 10088 and building inspection certificate Z-30.3-6)

- Usable for service classes 1 to 3 according to EN 1995 - Eurocode 5
- Limited corrosion-resistant
- Limited suitability for saline atomic spheres
- Limited acid-resistant
- Not suitable for use in aggressive and chlorinated environments

#### Austenitic stainless steel V4A 1.4401/X5CrNiMo17-12-2

(stainless steel according to EN 10088 and building inspection certificate Z-30.3-6)

- Usable for service classes 1 to 3 according to EN 1995 - Eurocode 5
- Corrosion-resistant
- Suitable for saline atomic spheres
- Acid-resistant
  - ➔ Suitable for tanning-containing wood
- Good resistance in moderately aggressive, non-chlorinated environments

## Product data sheet – Terrasotec 5,5 Trilobular

## Advantages

- Milling ribs simplify the countersinking in all wood types
- Special screw design reduces the risk of wood splintering
  - ➔ But pre-drilling is strongly recommended especially for hardwoods used for terraces and façades!
- Reinforced shaft reduces the risk of tearing or shearing off
- Underhead thread gives additional support to the decking boards
- No screw-hammering when screwed in with TX drive

## Instructions for use

When making a terrace of high-quality wood, it is highly recommended to pre-drill and precounterbore the decking boards. This applies equally to soft softwood and hardwood. We recommend our Drill-Stop for this purpose.

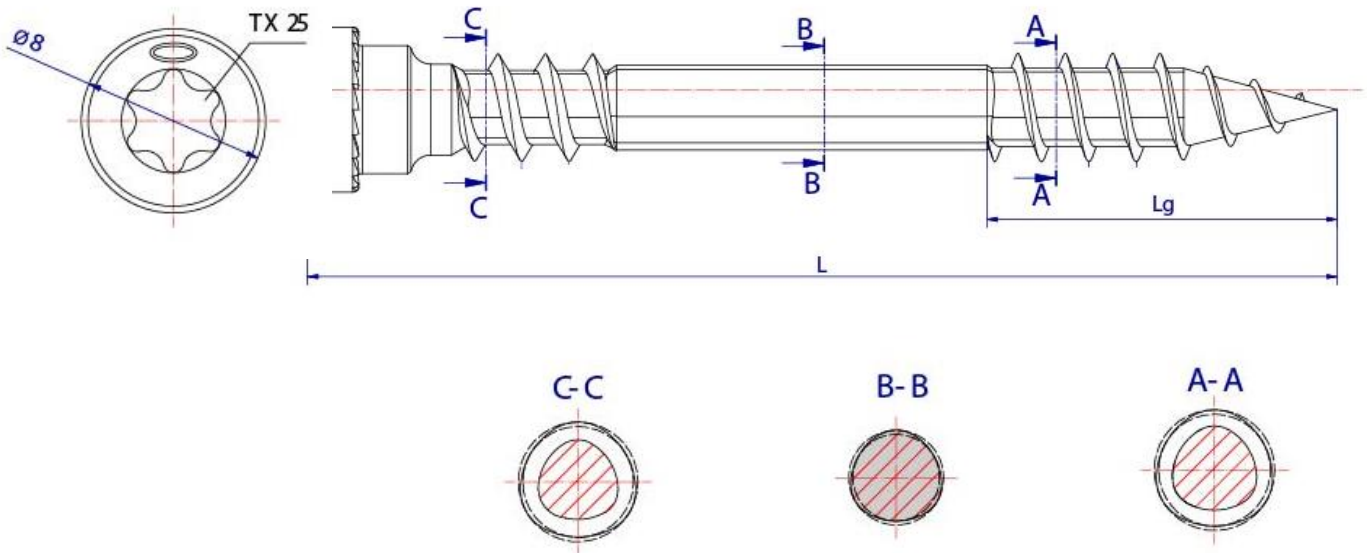
## Product table

Terrasotec 5,5 Trilobular					
Art.no.	Dimensions Ød x L [mm]	Thread length lg [mm]	Head diameter Ødh [mm]	Drive	PU [unit]
<b>hardened stainless steel</b>					
905530	5,5 x 50	17	8,0	TX25	200
905529	5,5 x 60	24	8,0	TX25	200
905531	5,5 x 70	34	8,0	TX25	200
905538	5,5 x 80	44	8,0	TX25	200
905545	5,5 x 90	54	8,0	TX25	200
905546	5,5 x 100	64	8,0	TX25	200
<b>Stainless steel A2</b>					
905539	5,5 x 50	17	8,0	TX25	200
905540	5,5 x 60	24	8,0	TX25	200
905541	5,5 x 70	34	8,0	TX25	200
905542	5,5 x 80	44	8,0	TX25	200
<b>Stainless steel A4</b>					
905555	5,5 x 50	17	8,0	TX25	100
905556	5,5 x 60	24	8,0	TX25	100
905557	5,5 x 70	34	8,0	TX25	100
905558	5,5 x 80	44	8,0	TX25	100
905547*	5,5 x 90	54	8,0	TX25	100
905548*	5,5 x 100	64	8,0	TX25	100

\*The previous version will continue to be supplied until the switchover is complete.

Product data sheet – Terrassotec 5,5 Trilobular

Drawing



If you are not familiar with how this product is used, and particularly with the product's intended use, please contact our Application Technology department (Technik@eurotec.team).