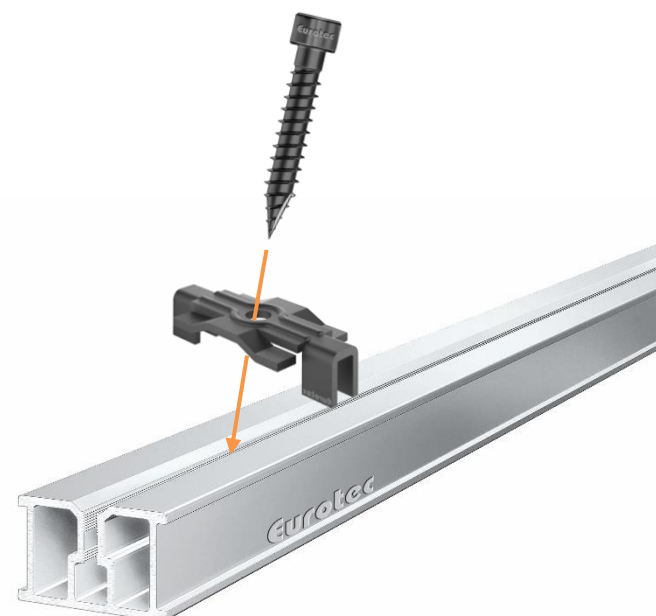


Product Data Sheet – Aluminum Profile System Eveco

Product Description

The **Aluminum Profile System Eveco** is an aluminum substructure for terraces which were developed specifically for the use of fastening clips. This profile is suitable for terrace coverings with grooved sides.



Aluminium System Profile Eveco

- For invisible fixing of decking with grooved sides
- Used with fixing ECO
- Compatible with our adjustable pedestals Pro-Line in
- Conjunction with the click-adapter 40mm
- Suitable for sea water

ECO System Clip

- The clip is suitable for indirect/hidden fixing of dimensionally stable grooved decking boards.

Advantages

- Easy and time-saving installation
 - Compatible with our adjustable feet Pro-Line in conjunction with the Click-adapter 40mm
 - A screw channel avoids tedious drilling times for screws or pre drilling
- Low assembly height
- uniform joint spacing of 5,0mm by the clip
- Form-stable, straight, load-bearing, torsion-free
- Resistant to weather, UV exposure, insects and rot
- Supports structural timber protection

Product Data Sheet – Aluminum Profile System Eveco

Application instructions Aluminum Profile System Eveco

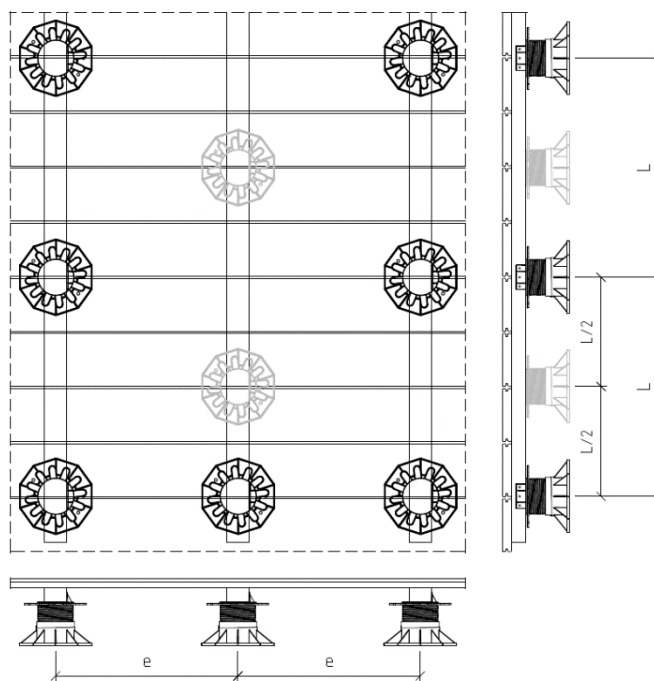
Max. span L [Unit of measure mm] of adjustable foot PRO Series $F_{max.} = 8,0$ kN								
Load [kN/m ²]	axial distance e [mm] of aluminium system profile [39x24mm]							
	300	350	400	450	500	550	600	800
2,0	800	750	750	700	700	650	650	600
4	650	600	600	550	550	500	500	450
5	600	550	550	500	500	500	450	450
7	550	500	500	450	450	450	400	400
10	450	450	450	400	400	400	350	350

To reduce vibration, we recommend offsetting the adjustable feet of every second structure!

Sub-
structure
file by

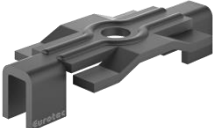


struc-
pro-
/2!



Product Data Sheet – Aluminum Profile System Eveco

Product Table

			EN-AW 6063-T66 (AlMgSi0,5)
Item no. 975630	Aluminium System profile Eveco	Dimensions: 39 x 24 x 4000mm	PU
			Material Stainless steel, black coated
Item no. 975600-250	Eco System Clip	Inclusive Stainless Steel Screw	PU
			Material Polypropylen (PP)
Item no. 975614	Aluminium System Connector	Dimensions: 30 x 20 x 120mm	PU

If you are not familiar with the application of the product at hand, especially with the handling according to given regulations, it is essential to get in contact with our technical application support department (Technik@eurotec.team).